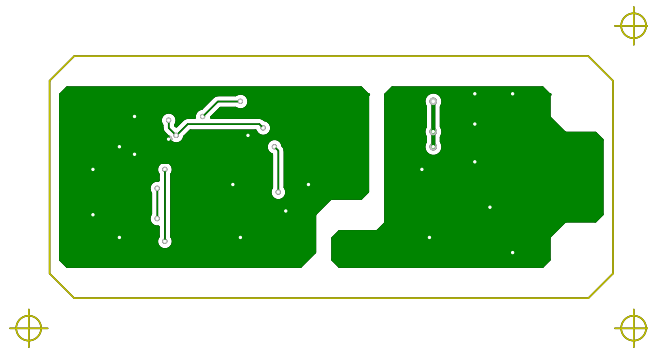


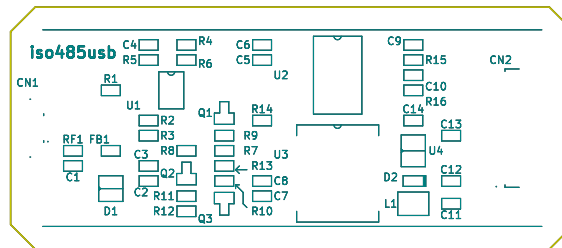
F pattern

DRAWN	PLANNED	CHECKED	APPROVED	DESCRIPTION	<i>Isolated USB to RS485 board</i>	
					<i>Engineering sample prototype</i>	
				DRAWING No.	xxx-xxx	Date : 2018-04-19
				MODEL	iso485usb	Sheet : 1 / 1



B pattern

DRAWN	PLANNED	CHECKED	APPROVED	DESCRIPTION	<i>Isolated USB to RS485 board</i>	
					<i>Engineering sample prototype</i>	
				DRAWING No.	<i>xxx-xxx</i>	<i>Date : 2018-04-19</i>
				MODEL	<i>iso485usb</i>	<i>Sheet : 1 / 1</i>



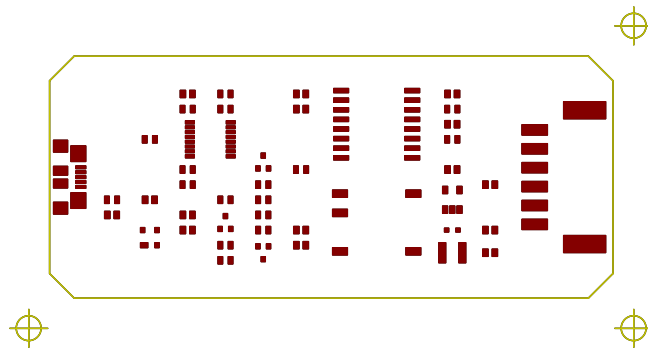
F silk

DRAWN	PLANNED	CHECKED	APPROVED	DESCRIPTION <i>Isolated USB to RS485 board</i>	
				<i>Engineering sample prototype</i>	
				DRAWING No. xxx-xxx	Date : 2018-04-19
				MODEL iso485usb	Sheet : 1 / 1



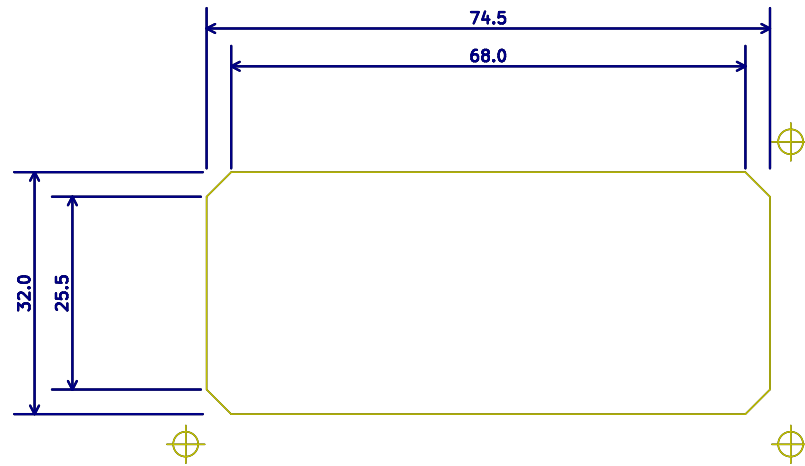
B regist

DRAWN	PLANNED	CHECKED	APPROVED	DESCRIPTION <i>Isolated USB to RS485 board</i>	
				<i>Engineering sample prototype</i>	
				DRAWING No. <i>xxx-xxx</i>	<i>Date : 2018-04-19</i>
MODEL	<i>iso485usb</i>	<i>Sheet : 1 / 1</i>			



F register

DRAWN	PLANNED	CHECKED	APPROVED	DESCRIPTION <i>Isolated USB to RS485 board</i>	
				<i>Engineering sample prototype</i>	
				DRAWING No. <i>xxx-xxx</i>	Date : <i>2018-04-19</i>
				MODEL <i>iso485usb</i>	Sheet : <i>1 / 1</i>



DRAWN	PLANNED	CHECKED	APPROVED	DESCRIPTION	<i>Isolated USB to RS485 board</i>	
					<i>Engineering sample prototype</i>	
				DRAWING No.	xxx-xxx	Date : 2018-04-19
				MODEL	iso485usb	Sheet : 1 / 1