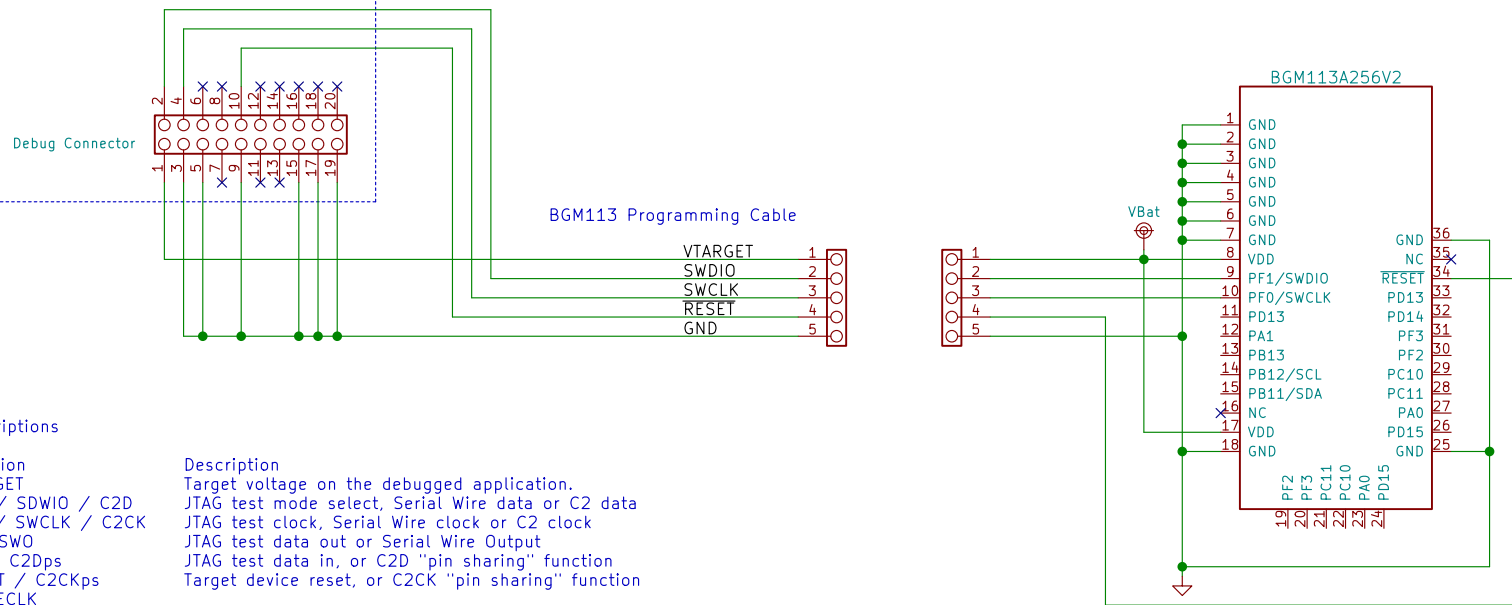


Blue Gecko Wireless Starter Kit with BGM113 Module  
SLWSTK6101B



Debug Connector Pin Descriptions

Pin number(s)	Function	Description
1	VTARGET	Target voltage on the debugged application.
2	TMS / SWDIO / C2D	JTAG test mode select, Serial Wire data or C2 data
4	TCK / SWCLK / C2CK	JTAG test clock, Serial Wire clock or C2 clock
6	TDO/SWO	JTAG test data out or Serial Wire Output
8	TDI / C2Dps	JTAG test data in, or C2D "pin sharing" function
10	RESET / C2CKps	Target device reset, or C2CK "pin sharing" function
12	TRACECLK	
14	TRACED0	
16	TRACED1	
18	TRACED2	
20	TRACED3	
9	Cable detect	Connect to ground
11, 13	NC	Not connected
3, 5, 15, 17, 19	GND	Ground

DRAWN	PLANNED	CHECKED	APPROVED	DESCRIPTION
				BGM113 Programming Cable for Blue Gecko Module Wireless Starter Kit
DRAWING No. xxxx-xxx				Date : 2017-01-12
MODEL SLWSTK6101B				Sheet : 1 / 1